


Safety Health and Environmental Information	A3
The following risks are identified as unusual or unfamiliar to a competent contractor	
CONSTRUCTION RISKS There are no significant or unfamiliar risks	
DEMOLITION RISKS (FUTURE) There are no significant or unfamiliar risks	
It is assumed that all work will be carried out by a competent contractor working, where appropriate, to an approved method statement	

Notes :



reference image

American Black Walnut to be finished with tung oil/ lacquer to a dull lustre.

All american black walnut to be internal grade joinery timber. All cut edges are to be smoothed. American black walnut or equivalent approved. Timber to be from FSC source. All timber is to be pre treated. Contractor to ensure that shelves are to be securely fixed and for no fixings to be on show and any plugging to be out of sight. Shelves to be fixed securely to wall and fixings to be hidden.

Rev	Details	Date	Checked By
A	Tender information revised following HLFTRC input. (Retailer position indicated and shelves moved to suit.	02/07/17	SK

TENDER

BROWN HILL HAYWARD BROWN
 CHARTERED ARCHITECTS
 GEORGIAN HOUSE 24 BIRD STREET LICHFIELD STAFFS LEICESTERShire
 TEL: 01451 254107 FAX: 01451 616400 e-mail: info@brownhill.co.uk

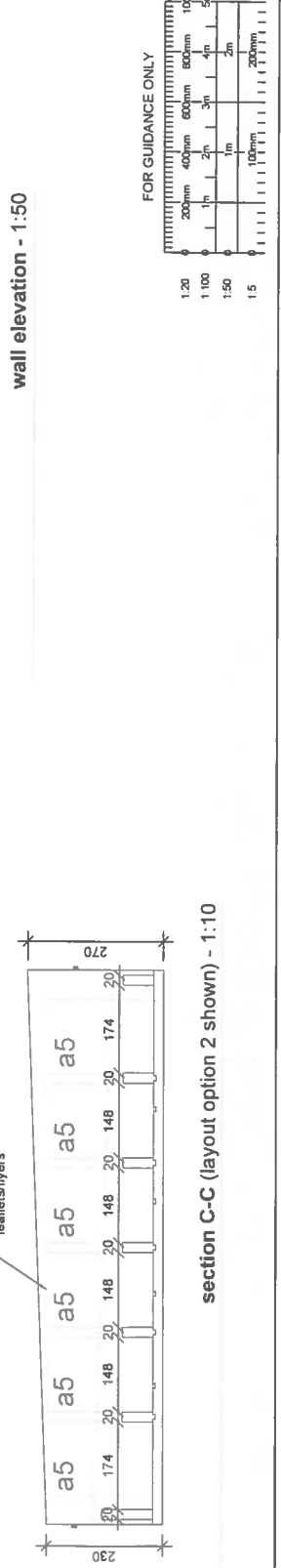
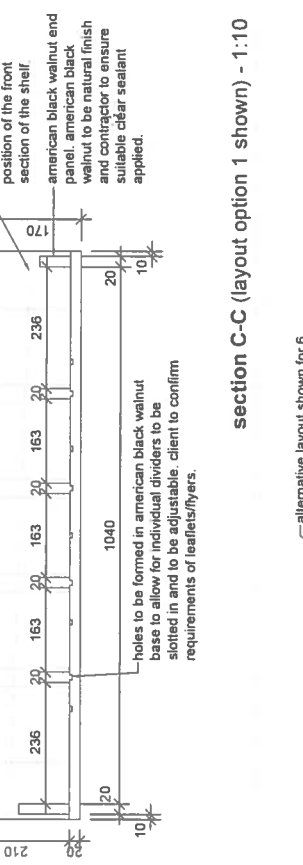
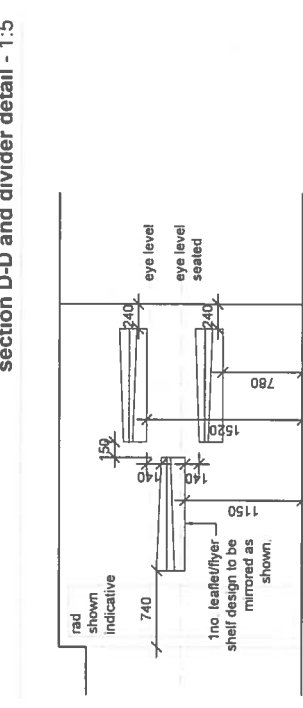
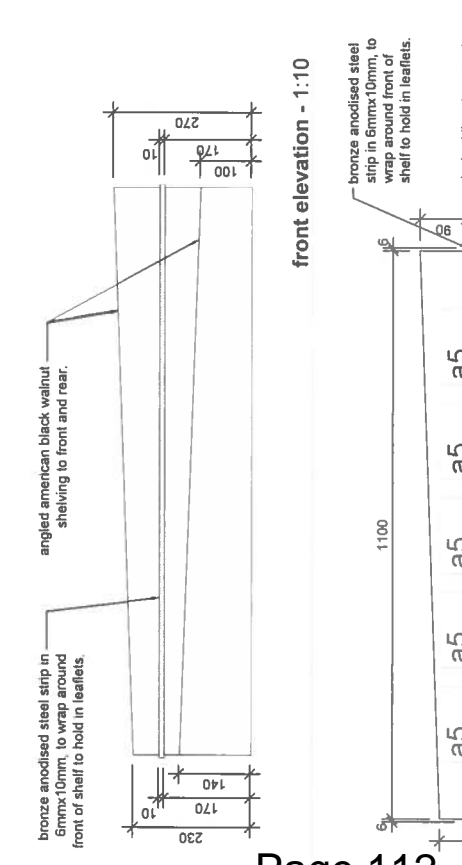
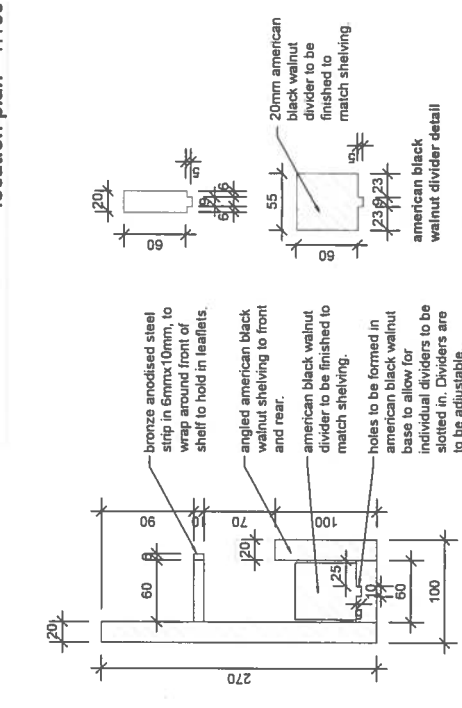
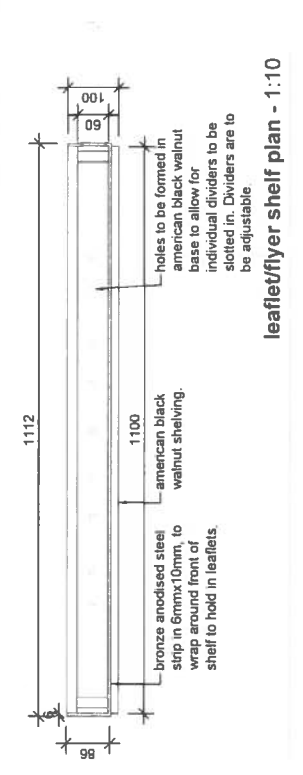
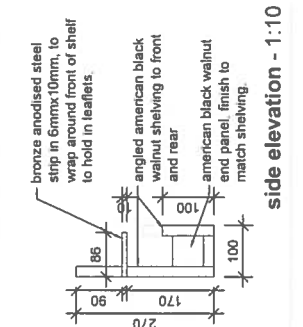
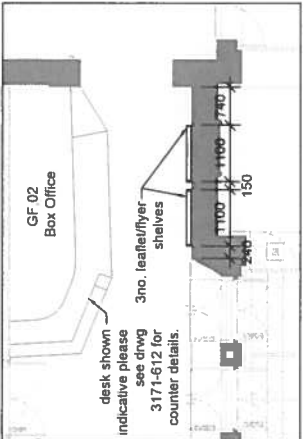
Client: **Tamworth Borough Council**

Project: **Tamworth Assembly Rooms**

Title: **Box Office - Leaflet/Flyer Display Shelving**

Scale: **AS: Ind@A3** Date: **8.03.2017** Drawn By: **RG** Checked By: **SK** Drawing Number: **1317-6511** Revision: **A**

This drawing is the drawing and design is valid to the extent and only for the project and site for which it is prepared. It is not to be used for any other project without the written consent of the architect. Details shown are for information only. Do not construct without the architect's written consent.



FOR GUIDANCE ONLY

1:20	200mm	400mm	600mm	800mm	1000mm
1:100	2mm	4mm	6mm	8mm	10mm
1:50	1mm	2mm	3mm	4mm	5mm
1:5	100mm	200mm	300mm	400mm	500mm